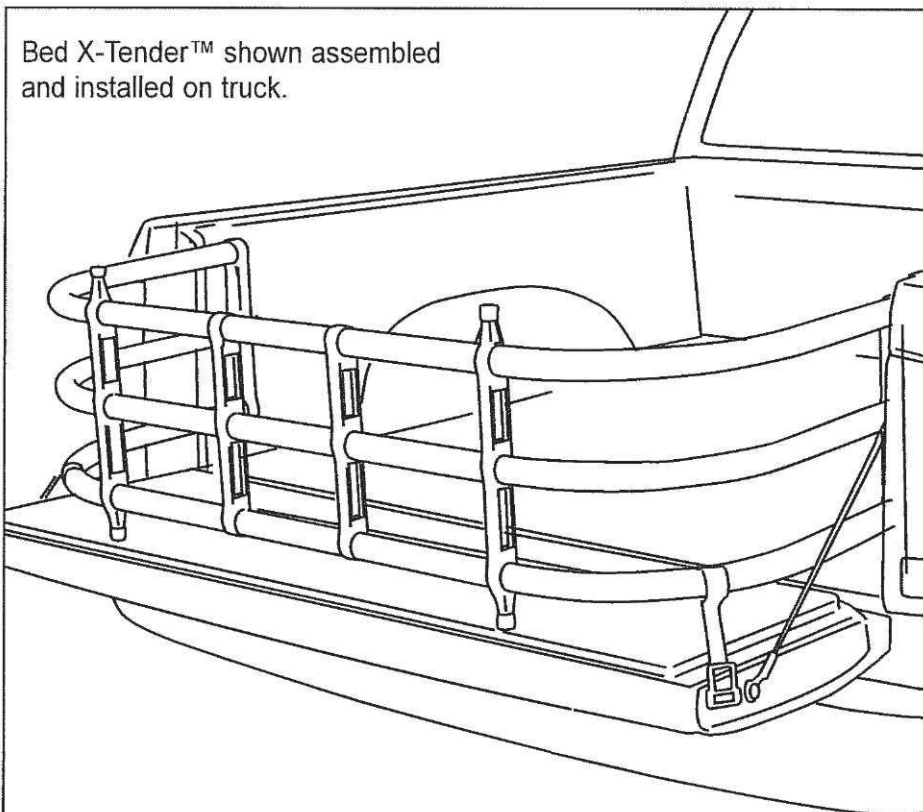


# AMP RESEARCH Bed X-Tender™

Nationally Distributed by Bestop

APPLICATION	AMP Research Part #	Bestop Part #
Mid-size trucks / Compact bed	10-01846-74	74501-01
Full-size trucks / Narrow bed	10-01845-75	74502-01
Full-size trucks / Wide bed	10-01845-74	74500-01
Full-size trucks / Deep bed	10-03062-71	74503-01

Bed X-Tender™ shown assembled and installed on truck.

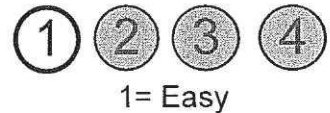


Remove contents from box and check for damage. Verify all parts against parts list. Read and understand instructions completely before attempting assembly and installation.

### INSTALLATION TIME



### SKILL LEVEL



1 = Easy

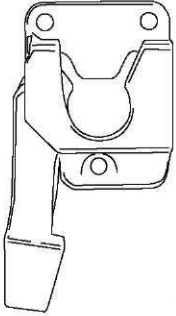
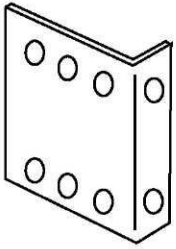
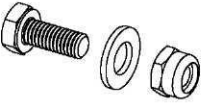
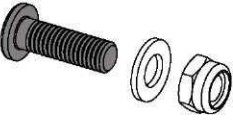
### TOOLS REQUIRED

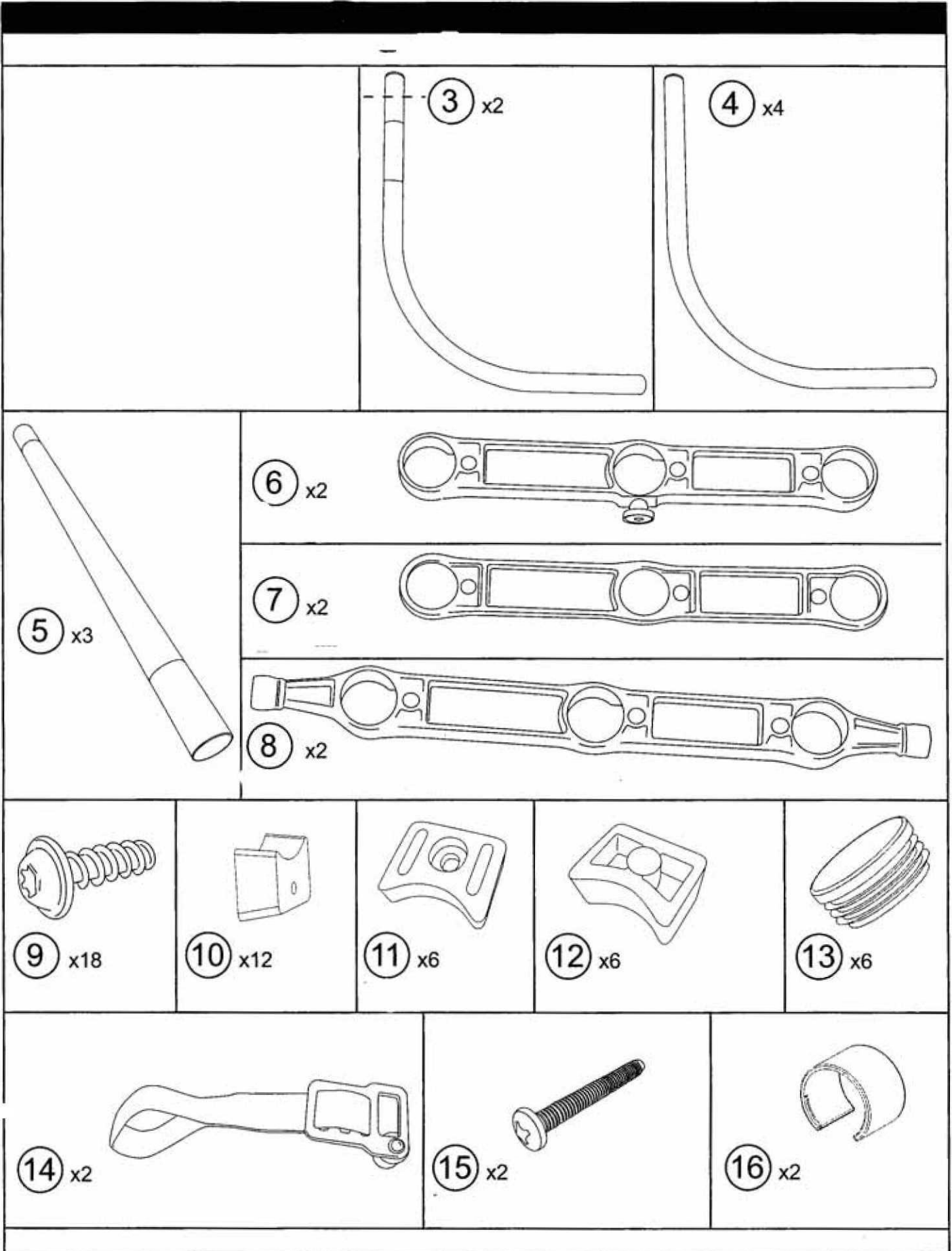
- Phillips screw driver
- Torx T-20 driver
- Power drill
- 9/64" drill bit
- Center punch
- Supplied template

**Hack saw**  
Required when installing a Compact Bed X-Tender on Flairside trucks.

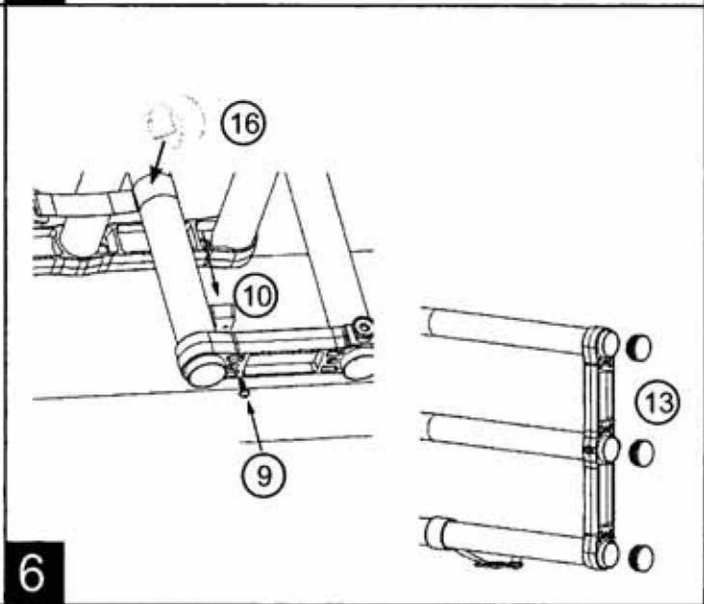
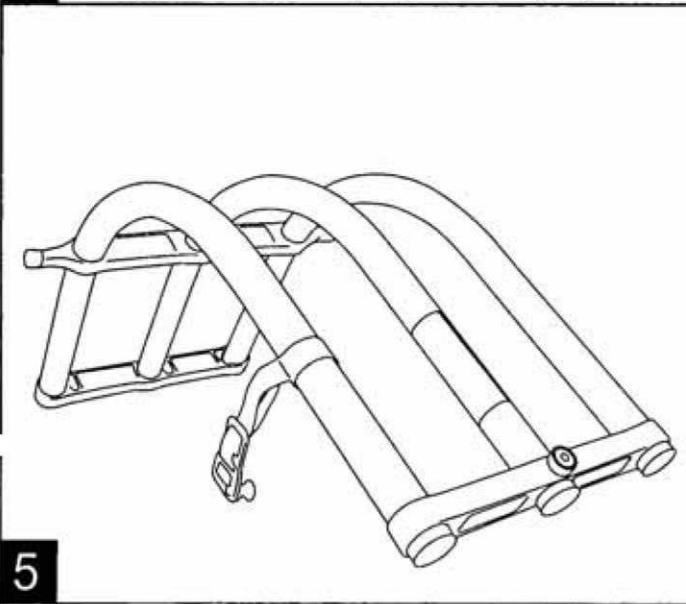
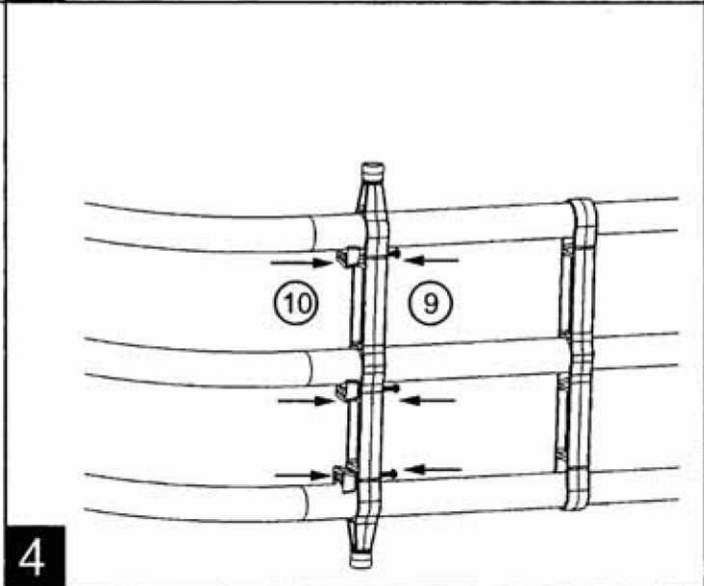
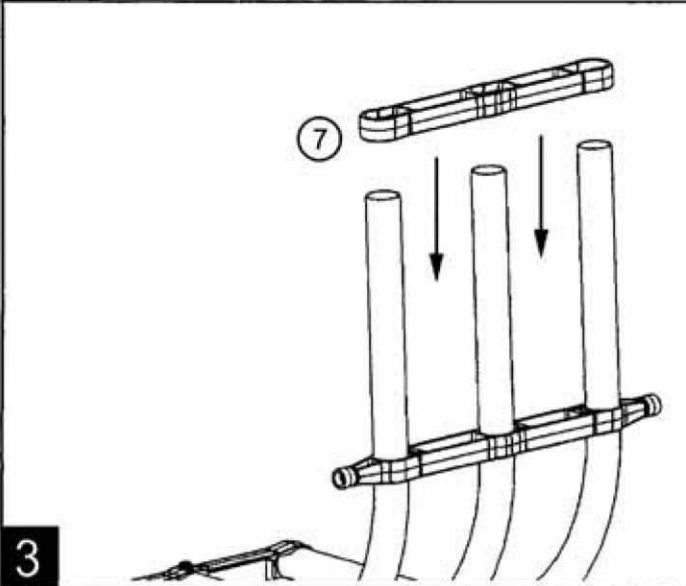
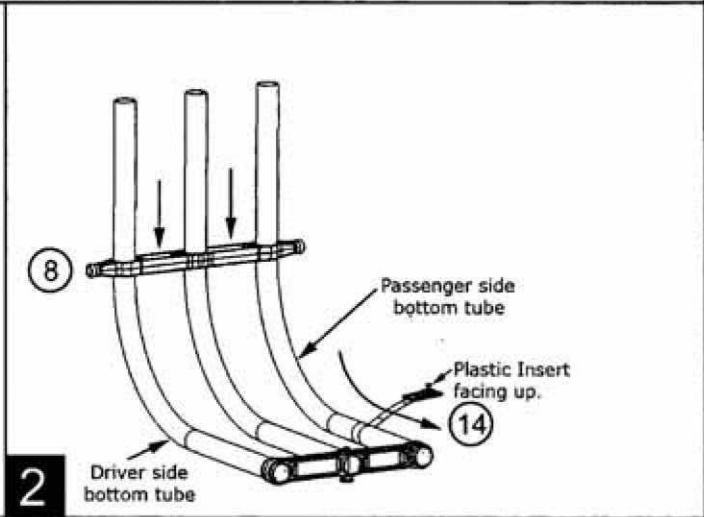
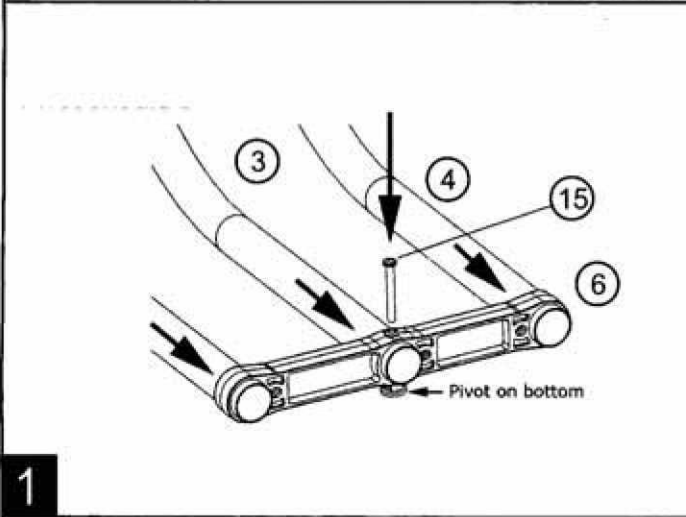
**AMP RESEARCH BED X-TENDER™**

**ADDITIONAL MOUNTING KIT**

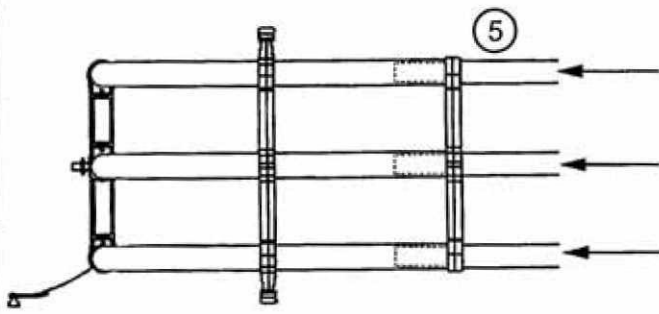
	DESCRIPTION	APPLICATION	PART #
 <p align="right"><b>x2</b></p>	<p>Quick Latch Mounting Bracket Kit - Universal</p> <p>OPTIOANAL</p>	Compatible with all models	<p>10-02936-90</p> <p>Bestop Part # 74605-01</p>
 <p align="right"><b>x2</b></p>	<p>L Mounting Bracket Kit</p> <p>REQUIRED TO COMPLETE INSTALLATION</p>	<p>GM S-Series Mazda B-Series Nissan Pickup Toyota Pickup Mitsubishi Pickup</p>	<p>80-03080-90</p> <p>Bestop Part # 74601-01</p>
 <p align="right"><b>x6</b></p>	<p>Bolts - washer - Nut set</p> <p>To assembly : Quick Latch Mounting and L Mounting Bracket</p>	Compatible with all models	
 <p align="right"><b>x4</b></p>	<p>Bolts - washer - Nut set</p> <p>To assembly: L Mounting Bracket and Car side</p>	Compatible with all models	



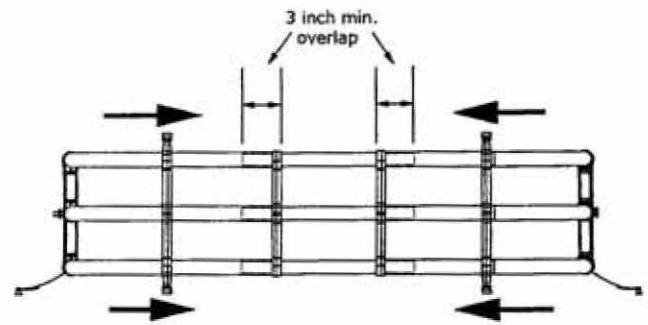
# BED X-TENDER ASSEMBLY



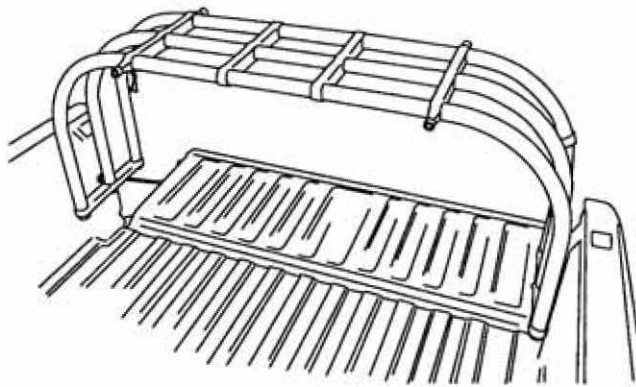
BED X-TENDER ASSEMBLY – CONTINUED



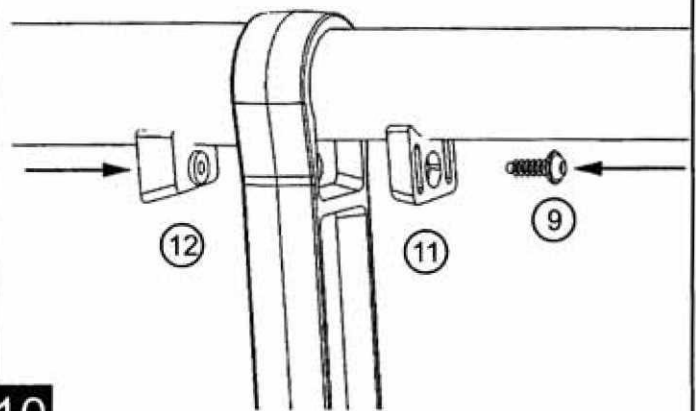
7



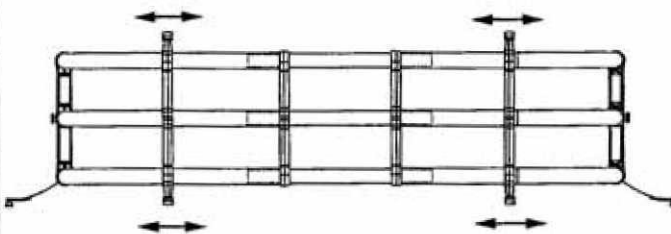
8



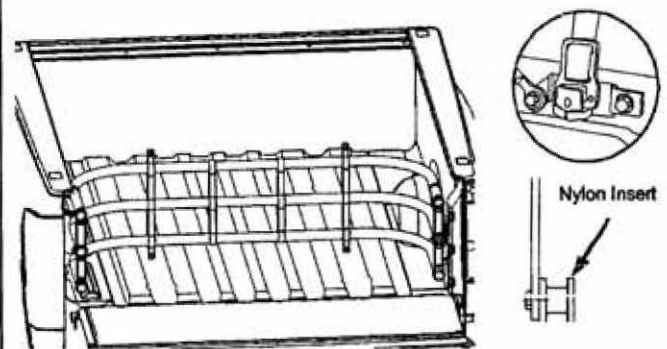
9



10



11



12

## LIMITED WARRANTY

AMP RESEARCH warrants product to be free from defects in material and workmanship, for terms specified below, provided there has been normal use and proper maintenance. This warranty applies to the original purchaser only. All remedies under this warranty are limited to the repair or replacement of any item found by the factory to be defective within the time period specified.

If you have a warranty claim, first you must call our factory at the number below for instructions. You must retain proof of purchase and submit a copy with any items returned for warranty work. Upon completion of warranty work, if any, we will return the repaired or replaced item or items to you freight prepaid. Damage to our products caused by accidents, fire, vandalism, negligence, misinstallation, misuse, Acts of God, or by defective parts not manufactured by us, is not covered under this warranty.

THE WARRANTY TIME PERIOD IS AS FOLLOWS: THREE YEARS FROM DATE OF PURCHASE.

ANY IMPLIED WARRANTIES OF MERCHANTABILITY AND/OR FITNESS FOR A PARTICULAR PURPOSE CREATED HEREBY ARE LIMITED IN DURATION TO THE SAME DURATION AND SCOPE AS THE EXPRESS WRITTEN WARRANTY. OUT COMPANY SHALL NOT BE LIABLE FOR ANY INCIDENTAL OR CONSEQUENTIAL DAMAGE.

Some states do not allow limitations on how long an implied warranty lasts, or the exclusion or limitation of incidental or consequential damages, so the above limitations or exclusions may not apply to you.

This warranty gives you specific legal rights, and you may also have other rights that vary from state to state.

FOR WARRANTY ISSUES WITH THIS PRODUCT PLEASE CALL AMP RESEARCH CUSTOMER SERVICE BY CALLING TOLL - FREE 1-800-315-9697

## WARNING

The manufacturer strongly recommends that this product be professionally installed.

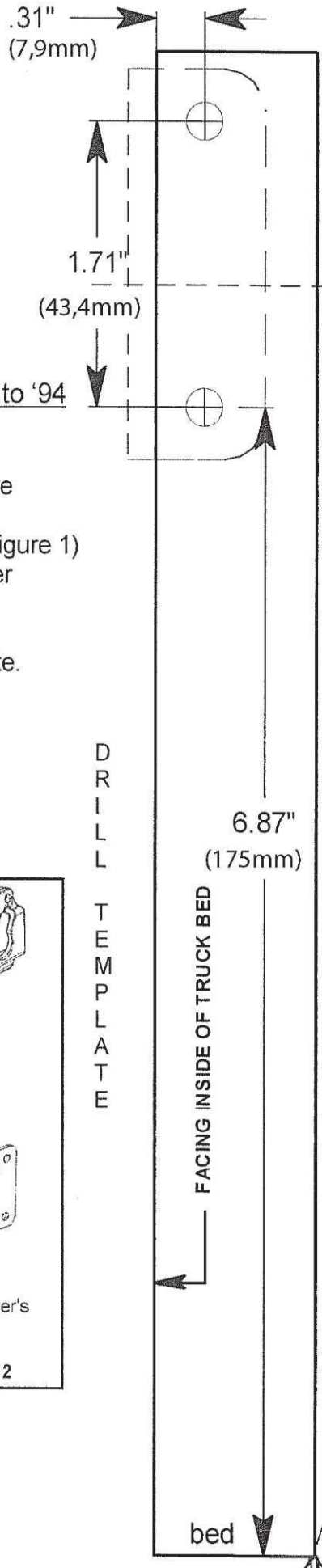
Failure to carefully follow the electrical installation steps could result in severe electrical shock that could harm the installer and/or damage the vehicle.

This product is designed to enhance the appearance of the vehicle. Do not rely in any way on the components of this product to contain occupants within the vehicle, or to protect against injury or death in the event of an accident. Never operate vehicle in excess of manufacturer's specifications.

WEAR SEAT BELTS AT ALL TIMES

Read and follow, precisely, all installation instructions provided when installing this product. Failure to do so could place occupants of the vehicle in a potentially dangerous situation. After installing or reinstalling, check to make sure it has been properly installed.

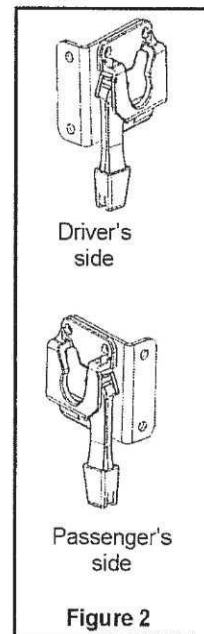
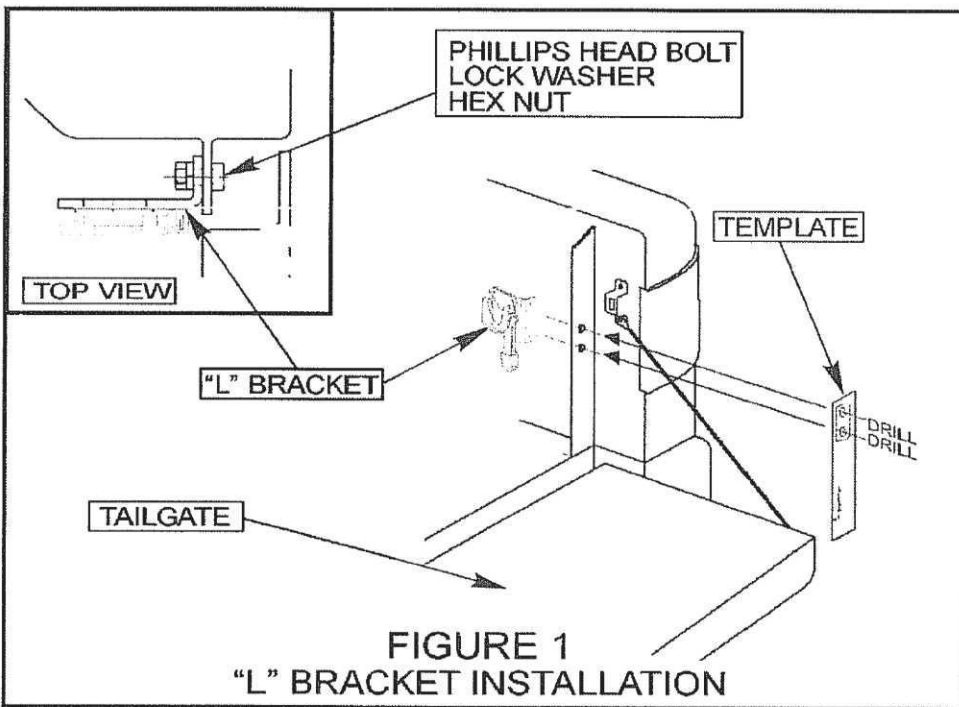
# "L" BRACKET INSTALLATION GUIDE



QTY	PARTS KIT CONTENTS DESCRIPTION	TOOLS REQUIRED
2	"L" BRACKETS	7/32" DRILL BIT
10	PHILLIPS HEAD BOLTS	PHILLIPS HEAD SCREWDRIVER
10	HEX NUTS	DRILL
10	LOCK WASHERS	10MM WRENCH

FOR TOYOTA, NISSAN, CHEVY S-10 and GMC up to '94, and MAZDA up to '94

- Step 1. Remove contents from box and check for any damage. Verify all parts against the parts list. Read and understand instructions completely before beginning installation.
- Step 2. Position and hold template on passenger side flange on truck bed. (see Figure 1)
- Step 3. Using a center punch, punch each hole. If the truck has a bed liner, center punch the bed liner. **DO NOT CUT THE BED LINER!**
- Step 4. Drill mounting holes using 7/32" drill.
- Step 5. Install Quick Latch brackets onto "L" brackets. Levers need to face tailgate. (see Figure 2)
- Step 5. Install "L" bracket.
- Step 6. Repeat steps 2-5 for driver's side.



PASSENGER SIDE SHOWN, DRIVER SIDE OPPOSITE